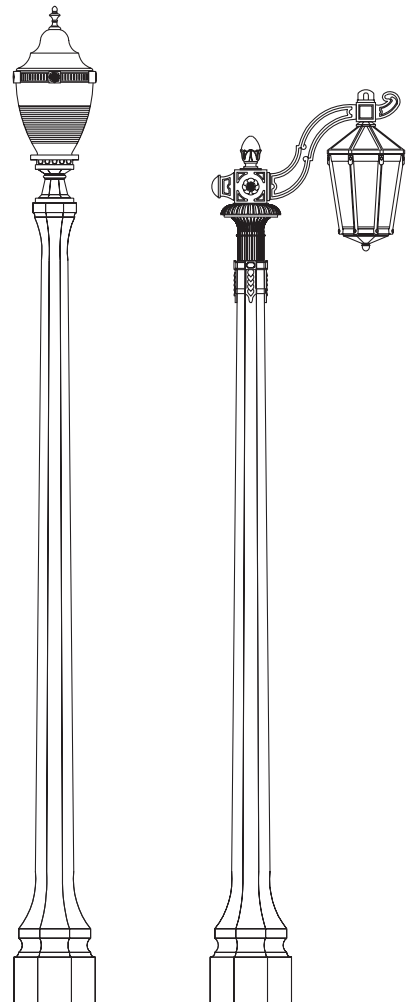


THE BELMONT

This gracefully proportioned pole was originally produced as a slightly upscaled version of the Sheridan. The two poles are, of course, very similar, with the Belmont showing more architectural detail around the base, which identified it as the original top of the line. It was a popular choice of universities and campuses, especially in the midwest. Many still have their original installations in service. It is available in heights from 5' to 30' as well as a lighted and nonlighted bollard.



Specification Details*

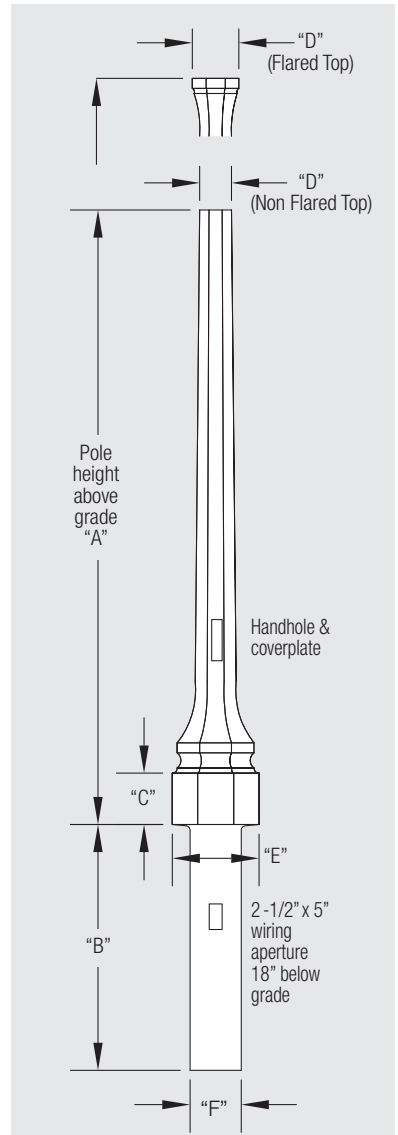
Description	Catalog Number	"A" Pole Height Above Grade	"D" Tip Dimension	"C" Stepped Section Height	"E" Flare	"B" Direct Burial Length & "F" Dia.	Pole Weight Direct Burial	Pole Weight Base Plate
Belmont Flared Top 11'	KBF11	11' 0"	9"	6"	18"	4' 6" x 9 1/2"	1050 lbs	850 lbs
Belmont Non Flared Top 12'	KBC12	12' 0"	5 3/4"	10"	17"	4' 6" x 9 1/2"	1300 lbs	1100 lbs
Belmont Flared Top 14'	KBC14	13' 11"	9"	10"	17"	4' 6" x 9 1/2"	1370 lbs	1170 lbs
Belmont Non Flared Top 18'	KBH18	18' 0"	6 1/4"	10"	18"	5' 0" x 9 1/2"	1500 lbs	1300 lbs
Belmont Non Flared Top 20'	KBH20	20' 0"	6"	10"	18"	5' 0" x 9 1/2"	1600 lbs	1400 lbs
Belmont Non Flared Top 22'	KBH22	22' 0"	5 3/4"	10"	18"	5' 0" x 9 1/2"	1700 lbs	1500 lbs
Belmont Non Flared Top 25'	KBH25	25' 0"	5 3/8"	10"	18"	5' 0" x 9 1/2"	1800 lbs	1600 lbs
Belmont Non Flared Top 30'	KBH30	30' 0"	4 3/4"	10"	18"	5' 0" x 9 1/2"	1900 lbs	1700 lbs

* Bollard specification details can be found on our website

How to Catalog for Belmont Concrete Pole

Pole Style	Finish	Footing Details	Coating
KBF KBC KBH	E – Etched Finish S – Polished Finish	DB – Direct Buried FBP – Flush Baseplate SBP – Stub Baseplate	NA – Non Acrylic A – Acrylic AG – Anti Graffiti Coating***
KBH 30'	E 40	DB 140 30/30	GFI NA
Height 5' - 30'	Color** 10 – Midnight Lace 11 – Eclipse Black 30 – Salt & Pepper 40 – Pearl Gray 90 – Saluki bronze	Tenon (Post Top Mount) Specify Tenon Size For example 140 30/30 = 2 7/8" OD & 3" long	Options* DR – Duplex Receptacle GFI – Ground Fault Duplex Receptacle SR – 1 Outlet LRN – Ladder Rest BPC – Base Plate Cover AB – Anchor Bolts BA – Banner Arms FH – Flag Holders

* Consult website for full listings. ** See decor colors on page 2 for full selection of colors.
***Anti Graffiti Coating is extra, consult factory for more details.

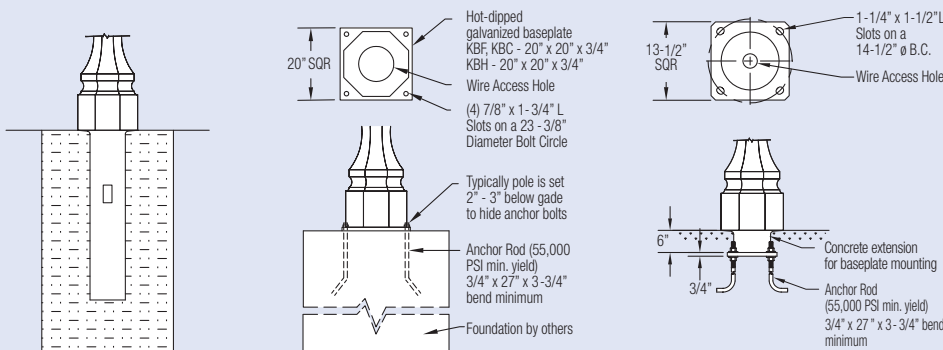


Footing Details

Direct Buried

(Simple and Cost Effective)

1. Auger the setting hole.
2. Set pole in hole and plumb straight.
3. Backfill* with required backfill tamping every 4" to 6".



*Generally the excavated material can be used for backfill, in some situations better backfill may be required.

