

High Mast Lighting Poles

80ft , 85ft, 90 & 98ft Above Grade Pole Heights

Physical Details:

- round symmetrically tapered shaft.
- 0.16" per linear ft. taper increase.
- mold finish is standard but optional etched Decor colors are available.

The poles cataloged below represent a sampling only. Other heights and strengths are available upon request.

Pole Catalog Number	Pole Height Above Grade (ft)*	Overall Pole Length (ft)	Pole Tip Diameter (Inches)	Pole Butt Diameter (Inches)	Nominal Pole Weight (lbs.)	Maximum EPA (sq. ft.)**						
						90 mph	100 mph	110 mph	120 mph	130 mph	140 mph	150 mph

90ft Overall Pole Length

E-900-GPR-G	80' 0"	90' 0"	8.25	24.45	13300	48	37	26	20	12	5	N/A
E-900-HPR-G	80' 0"	90' 0"	8.25	24.45	13550	66	52	37	29	19	11	4
E-900-JPR-G	80' 0"	90' 0"	8.25	24.45	13700	86	67	51	40	30	22	15
E-900-KPR-G	80' 0"	90' 0"	9.50	25.70	14900	108	84	66	52	41	33	26
E-900-LPR-G	80' 0"	90' 0"	9.50	25.70	15250	132	103	82	65	53	43	35
E-900-MPR-G	80' 0"	90' 0"	9.50	25.70	15400	158	124	99	80	65	53	44
E-900-NPR-G	80' 0"	90' 0"	11.25	27.45	16980	185	146	117	95	78	64	53

96ft Overall Pole Length

E-960-KPR-G	85' 0"	96' 0"	9.50	26.78	17195	105	81	63	50	39	31	24
E-960-LPR-G	85' 0"	96' 0"	9.50	26.78	17330	128	100	79	63	50	41	33
E-960-MPR-G	85' 0"	96' 0"	9.50	26.78	17430	154	121	96	77	63	51	42
E-960-NPR-G	85' 0"	96' 0"	11.25	28.53	18635	181	142	114	92	75	62	51

101ft Overall Pole Length

E-1010-KPR-G	90' 0"	101' 0"	9.50	27.68	18620	102	78	61	48	37	29	22
E-1010-LPR-G	90' 0"	101' 0"	9.50	27.68	18755	125	97	76	61	48	38	31
E-1010-MPR-G	90' 0"	101' 0"	9.50	27.68	18875	151	118	93	75	60	49	40
E-1010-NPR-G	90' 0"	101' 0"	11.25	29.18	19815	177	139	111	89	73	59	49

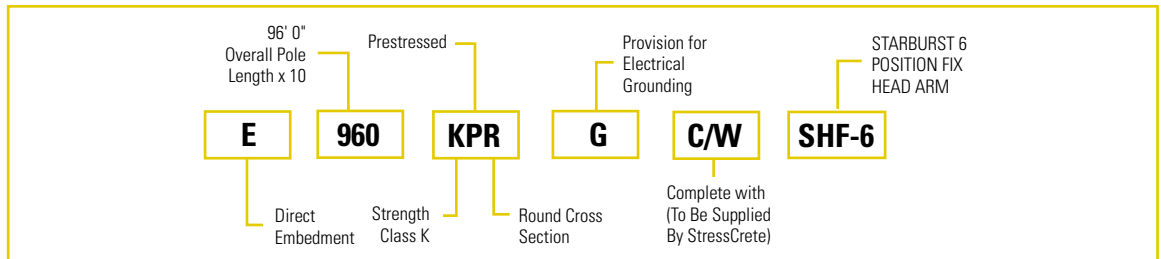
110ft Overall Pole Length

E-1100-KPR-G	98' 0"	110' 0"	9.50	29.30	21745	98	74	57	44	34	26	19
E-1100-LPR-G	98' 0"	110' 0"	9.50	29.30	21800	121	93	72	57	45	35	27
E-1100-MPR-G	98' 0"	110' 0"	9.50	29.30	22035	146	113	89	71	57	45	36

* Embedment depths are assumed at 10% of pole length plus 2 ft. Footings are dependent upon soil strengths and must be sized to withstand the applied pole loadings.

** EPA calculations are as per AASHTO criteria set forth in the 2001 "Standard Specifications for Structural Supports for Highway Signs, Luminaires and Traffic Signals". If you are unsure of the wind condition in a project's location, please reference the isotach map in the "General and Technical" section.

Typical Catalog Numbers



Typical for all types

1. Based on desired pole length and EPA loading, select pole catalogue number from charts.
2. Select Arm Configuration indicating number of lights.
eg: SLD-4 - 4 position self lowering device
3. Select any addition accessories. eg: climbing steps

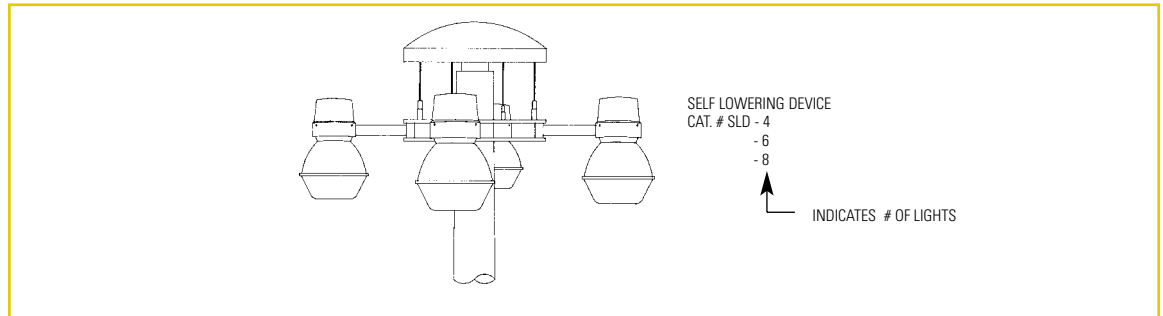
High Mast Lighting Poles

Spun concrete high mast lighting poles fill the need for better outdoor lighting created by the ever growing requirements of continuous operation of production facilities and security systems. By putting more luminaires up higher, fewer poles may be used, while still providing uniform illumination. Combining this with the advantages of spun concrete direct burial installation savings, long life and zero maintenance makes concrete the ideal choice.

StressCrete spun concrete poles are available for use with either a self lowering device, fixed head starburst arms or safety platforms.

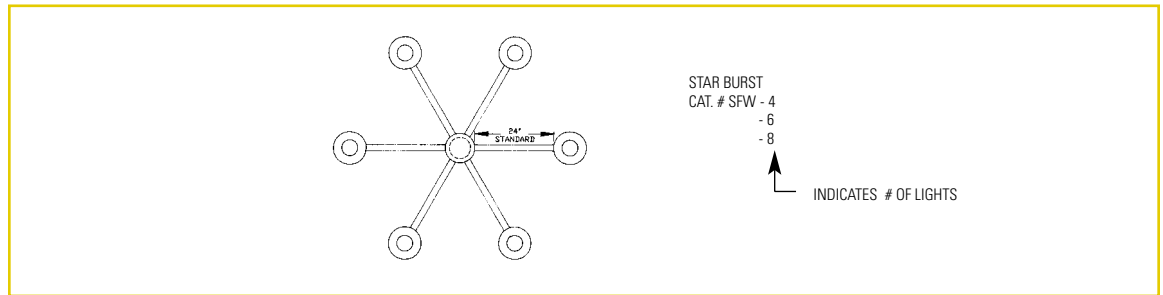
Cat # SLD Self Lowering Device

The combination of a concrete pole and lowering device lends itself to safe and easy maintenance of fixtures. When service work is required on the units, the head is lowered by cables to the ground, where maintenance work can be done safely and efficiently. Upon completion, the head is raised back into place and latched securely.



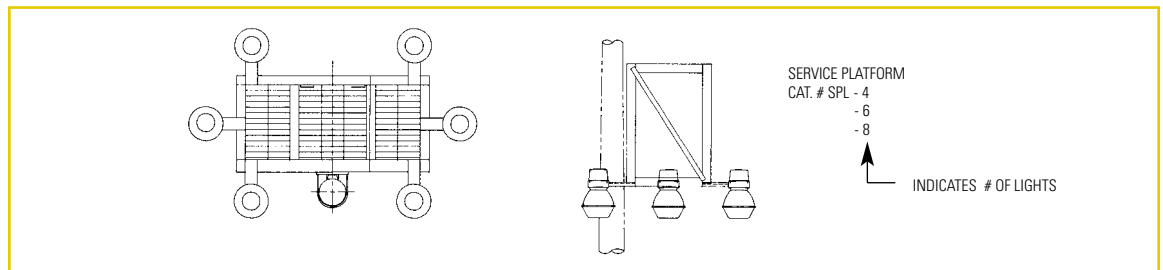
Cat # SFW Starburst Fixed Head

A fixed head installation is by far the most economical system of high mast lighting. The starburst is an attractive hub/arm combination which radiates from the pole top in a similar manner to the self lowering system. In order to service, a crane with a man bucket is required. We strongly recommend this economical method so long as mobile crane access to each pole is available.



Cat # SPL Safety Platform

This system is also a fixed head installation but unlike the starburst, climbing steps are needed on the pole as servicing is done at the top of the pole off a galvanized steel service platform similar to the type used in sports lighting. This system is economical while still allowing servicing to be carried out even on the most hard to reach poles.



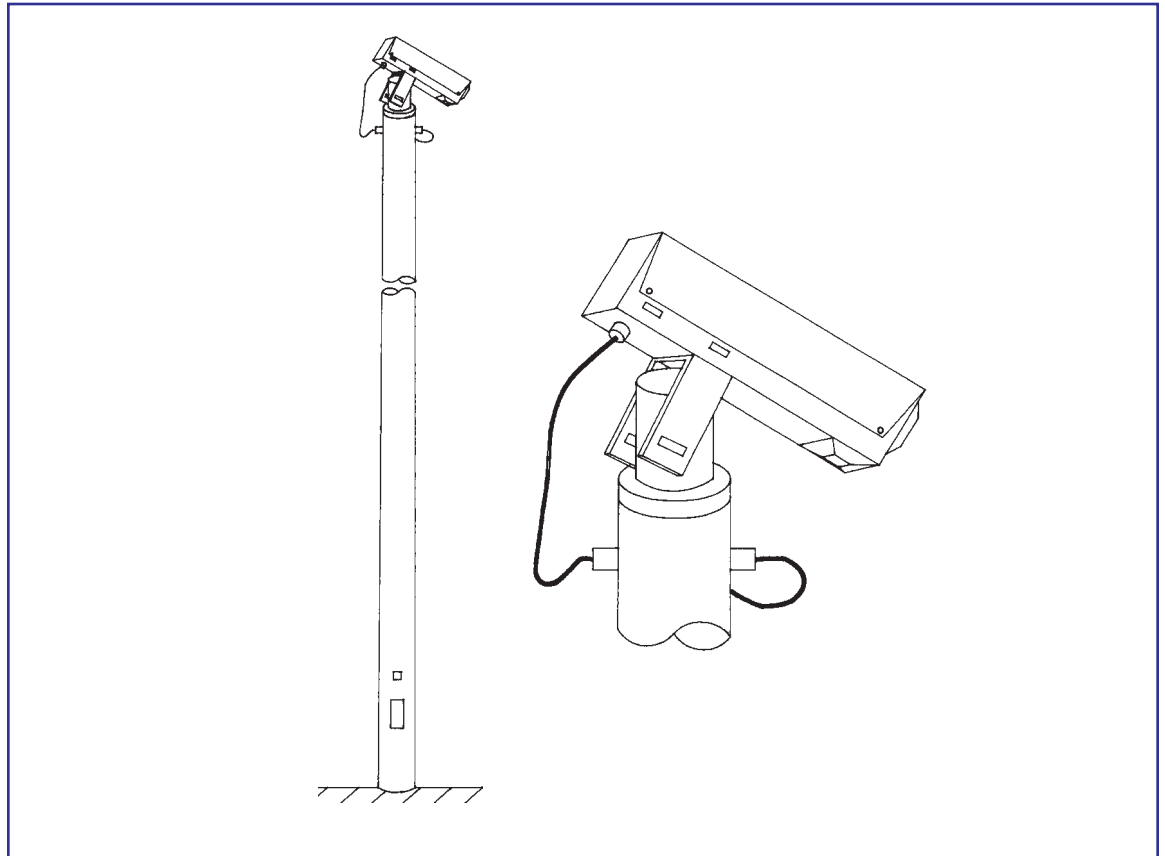
It is advisable when ordering High Mast Lighting to contact your local representative or our sales office so all material can be coordinated and ordered properly.

Camera Surveillance Poles

With the growing congestion on today's highways and the increasing violence in everyday life, camera surveillance of vehicular traffic, prisons, power plants and other sensitive installations is becoming more and more of a necessity.

Spun concrete poles are ideal for mounting most types of monitoring equipment. The mass and low deflection inherent in spun concrete minimizes any vibration which is critical to camera surveillance and other sensitive equipment. Its clean appearance and natural concrete color blends into the surroundings making it less noticeable. Of course our Decor colors are also available to fill any architectural requirement. Spun concrete poles supply all this plus, low initial cost, the installation savings of direct burial (baseplate poles are available), long life and zero maintenance. Spun concrete poles can readily be adapted to meet your every need.

Please contact us with your structural requirements. We will be happy to engineer a pole to meet your exact needs.

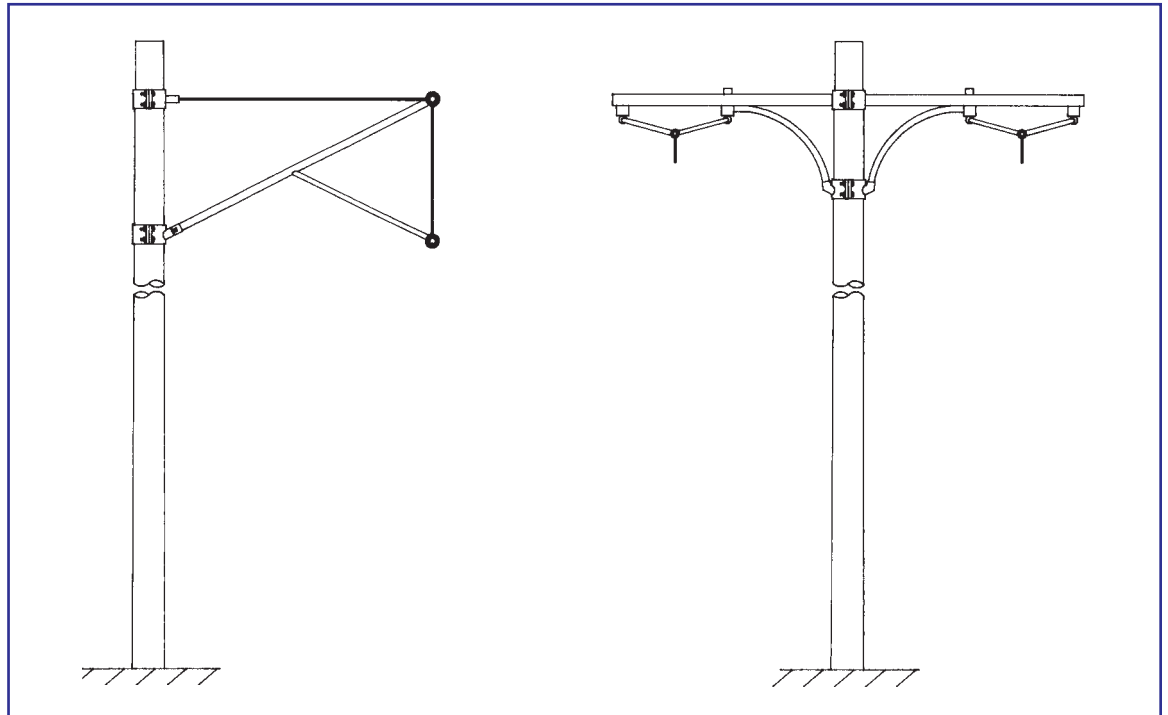


Traction Poles

Electrified Rapid Transit Systems (ERTS) are attracting more and more attention from Municipalities and Transit Authorities. As the cost of fuel rises and environmental concerns become more critical, ERTS offer an appealing and viable alternative to congested highways and smog.

The physical properties inherent in a spun concrete pole ensure its consideration for any type of overhead electrical system. Trains, street cars and trolley buses all require support systems with minimal deflection and maximum good looks. Spun concrete poles supply all this plus low initial cost, the installation savings of direct burial (baseplate poles are available), long life and zero maintenance. Spun concrete can readily be adapted to meet any specification whether single/double arms or catenary.

Please contact us with your structural requirements. We will be happy to engineer a pole to meet your exact needs.



Flag Poles

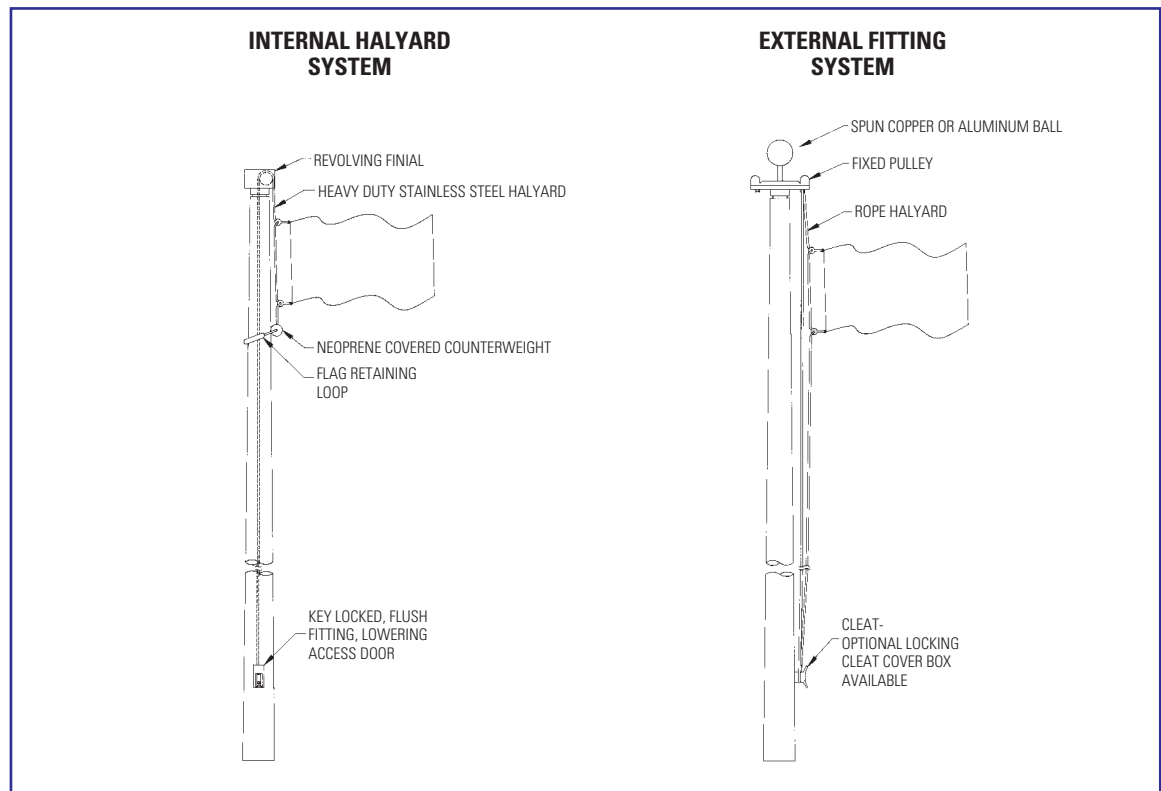
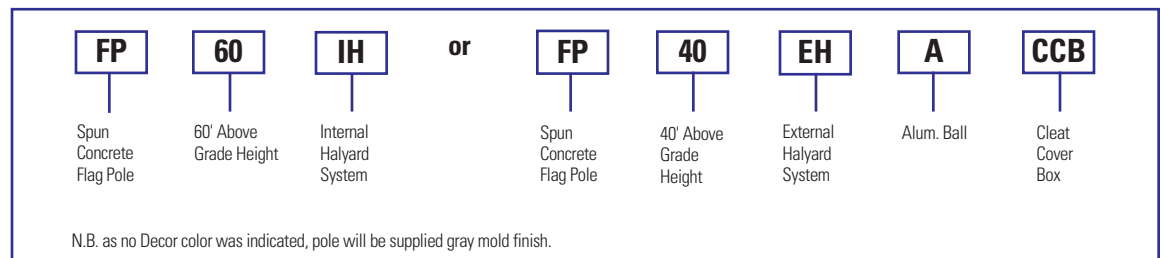
Available in heights from 20' to 100' spun concrete poles are an ideal choice to hold your banner high. Whether our internal "antitheft" halyard system or the more conventional external halyard system is selected, the clanking of cables that is so annoying with metal poles will be no more.

Spun concrete with its clean lines and natural concrete color blends into the surroundings. It is also possible to make a real architectural statement by selecting one of our Decor colors. Combine all of this with spun concrete's low initial cost, the installation savings of direct burial (baseplate poles are available), long life, and zero maintenance and you must agree there is no better flag pole on the market.

How to Order a StressCrete Flag Pole:

- Specify FP indicating a StressCrete flag pole.
- Select desired height above ground in feet.
- If pole color other than gray mold finish is desired indicate Decor color catalogue number.
- Determine desired halyard system - IH - Internal or EH - External.
- If EH - External halyard is selected there is a choice of ball top color - Copper (C) or Aluminum (A). Indicate choice as follows: eg. EH-C (copper colored ball top).
- For the external halyard, a cleat cover box may be selected by following EH-C with CCB eg. EH-C-CCB. If not specified it will be supplied with cleat only.

Typical Catalogue Numbers



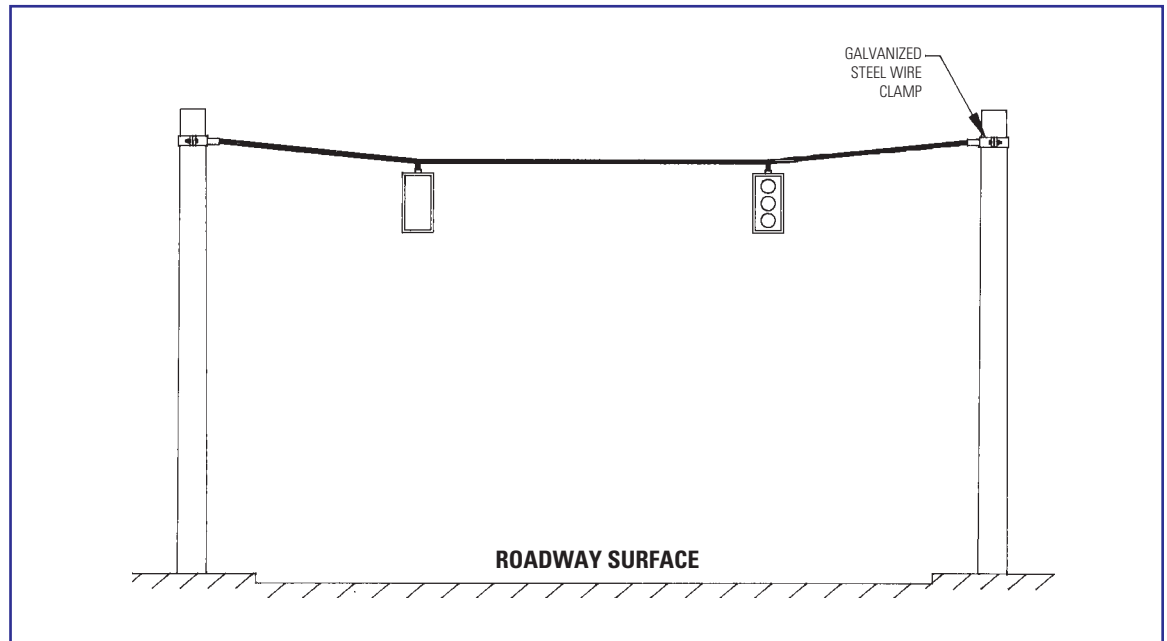
Sign & Traffic Signal Poles

Spun concrete poles are ideal for carrying traffic signals and signs where large imbalanced loads are required and guys impractical. Concrete poles may be designed for almost any required load.

Whether a strain or mast arm pole is selected, a properly designed concrete pole allows for great versatility. It's clean appearance and natural concrete color blends into the surroundings. Of course our Decor colors are available to fill any architectural requirement. Spun concrete poles supply all this plus, low initial cost, the installation savings of direct burial, long life and zero maintenance. Spun concrete poles can be readily adapted to meet your every need.

Please contact us with your structural requirements. We will be happy to engineer a product to meet your exact needs.

Typical Strain Pole Installation for Traffic Signals



Communication Towers

In locations where space is restricted and/or esthetics are important, spun concrete towers are the answer. They require less space than conventional guyed towers and are one of the most economical self supporting structures available. Their pleasing concrete color and symmetrical lines lend themselves to the natural surroundings.

Precision engineered to meet your individual requirements, spun concrete towers can be designed to carry most antenna arrays as well as almost any accessories from service platforms to climbing steps or ladders. By utilizing the towers internal raceway, unsightly cables and wires can be run internally. Combining all this with the other inherent properties of spun concrete, make spun concrete towers the ideal choice.

Please contact us with your structural requirements. We will be happy to design a tower to meet your exact needs.

