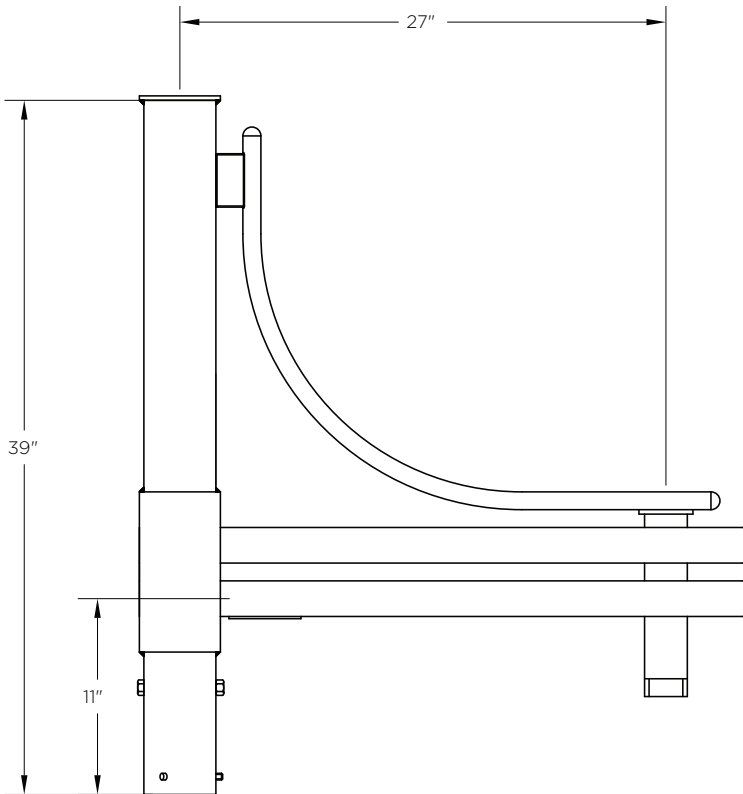


KA55 // THE MARINA 4

DECORATIVE ARM



The King Luminaire KA55 Arm is designed with modern lines and minimal detail. This aluminum arm is available in a single mount arm configuration. The KA55 provides an ideal solution for any project.

ARM SPECIFICATIONS

MATERIAL:
Aluminum

MOUNTING TYPE:
Tenon

ARM QUANTITY:
Single
Double

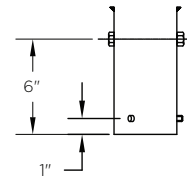
ARM LENGTHS:
Fixed Length

FINISH:
Available in textured or smooth.

EPA
1.23 sq. ft. - 4.0 sq. ft.

WEIGHT
23 lbs - 45 lbs

MOUNTING TYPES:



Tenon Mount Details
To Accept 2 7/8" O.D.
x10" Long Tenon

LEVELING DEVICES:



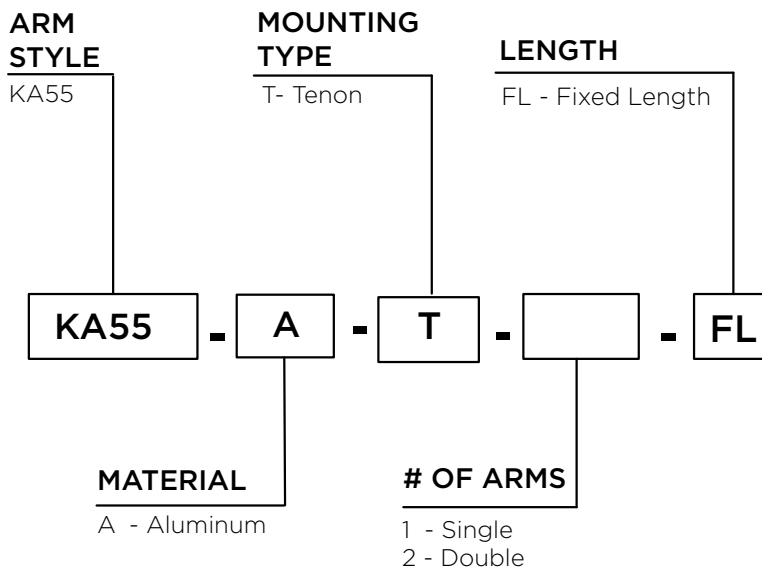
KPL10



KPL11

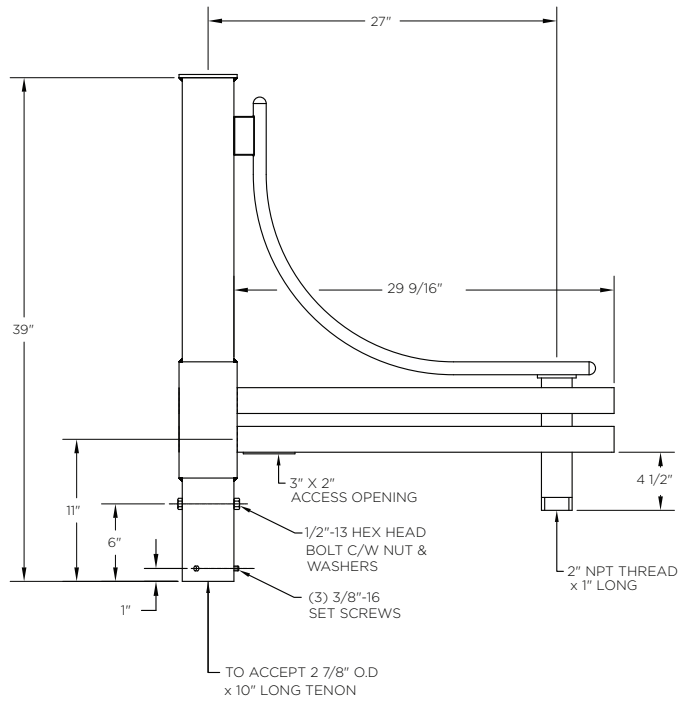
*See leveling device spec sheet for more options

HOW TO ORDER

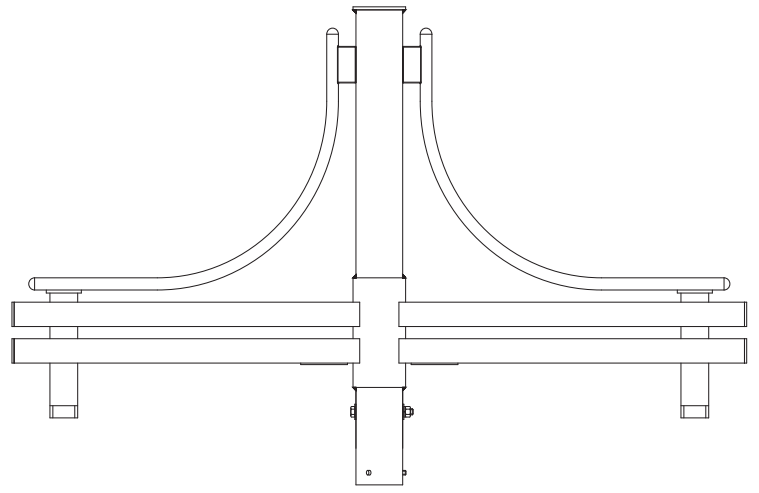


EPA & WEIGHT

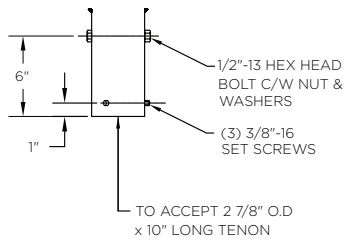
Catalog Number	Mount Type	# of Arms	EPA (sq ft)	Wt. (lbs)
KA55-A-T-1-FL	Tenon	1	1.23	23
KA55-A-T-2-FL	Tenon	2	4.0	45



Tenon Mount Single Arm



Tenon Mount Double Arm



Tenon Mount Details